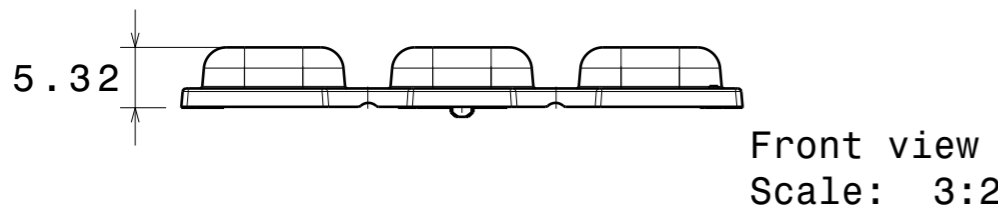
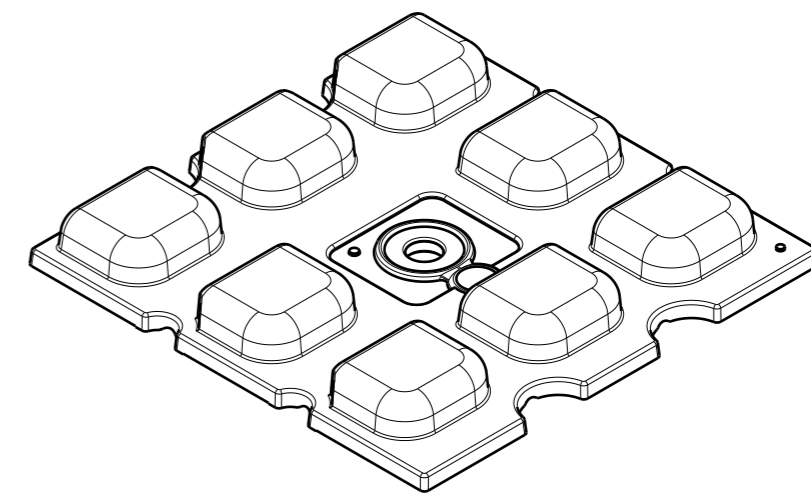


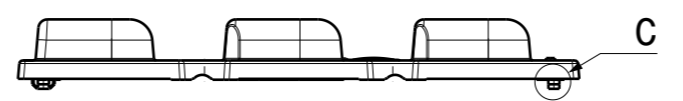
Bottom view
Scale: 3:2



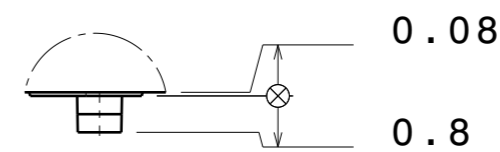
Front view
Scale: 3:2



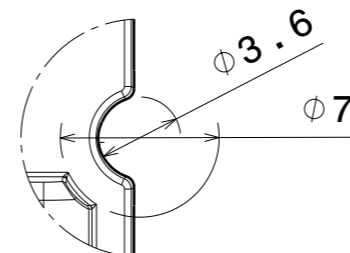
Isometric view
Scale: 3:2



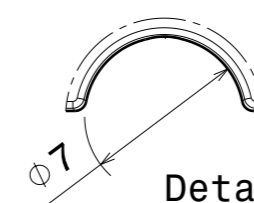
Left view
Scale: 3:2



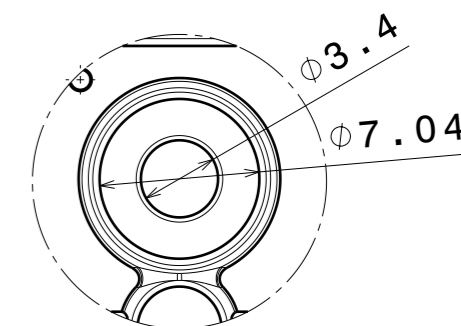
Detail C
Scale: 6:1



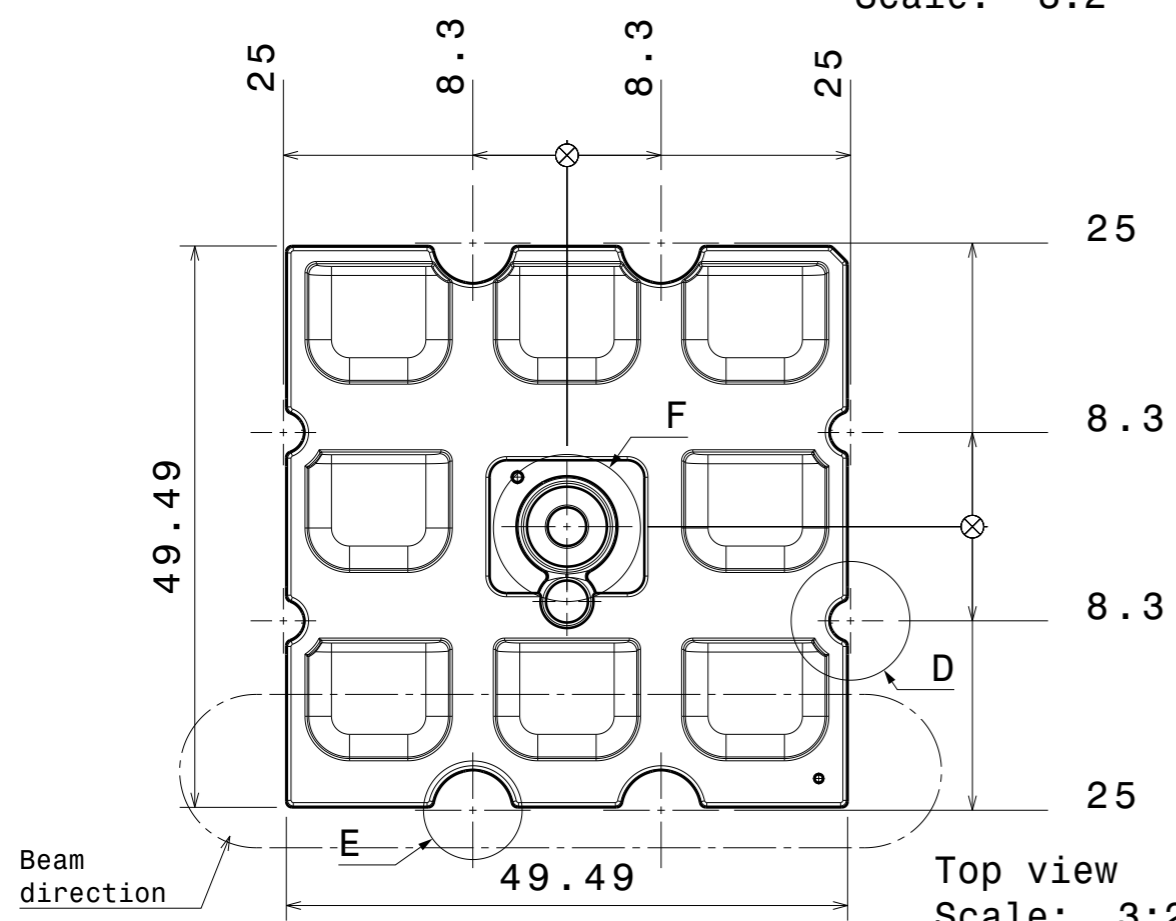
Detail D
Scale: 3:1



Detail E
Scale: 3:1



Detail F
Scale: 3:1



Top view
Scale: 3:2

PART	TYPE	MATERIAL	COLOR / COATING
C16005_STRADELLA-8-T1-A		PMMA	

MECHANICAL DRAWING		LEDiL [®]
PRODUCT	STRADELLA	
Plastic moulding general tolerances according to DIN 16901-130 and applies if not otherwise shown in the drawing. Silicone moulding general tolerances according to ISO 3302-1 Class M3 and applies if not otherwise shown in the drawing.	FIRST ANGLE PROJECTION: 	This drawing is the property of LEDiL Oy. It may not be copied or otherwise distributed without prior written permission from LEDiL Oy.
SCALE	3:2	WEIGHT 6,7 g
		A3 SHEET 1/1